

## Technical Specifications



# DUAL DIAPHRAGM CONDENSER MICROPHONE B-2 PRO

Gold-Sputtered Large Dual-Diaphragm Studio  
Condenser Microphone

# DUAL DIAPHRAGM CONDENSER MICROPHONE B-2 PRO

## Gold-Sputtered Large Dual-Diaphragm Studio Condenser Microphone

- Professional 1" gold-sputtered dual-diaphragm condenser microphone for unsurpassed audio quality
- Ideal as main and support microphone for studio and live applications--perfect for acoustic instruments and overhead etc.
- Selectable cardioid, omnidirectional or figure eight pickup pattern
- Pressure-gradient transducer with shock-mounted gold-sputtered dual-diaphragm capsule
- Switchable low-frequency roll-off and input attenuation
- Ultra low-noise transformerless FET input eliminates low-frequency distortion
- Gold-plated 3-pin XLR output connector for highest signal integrity
- Rugged construction with satin nickel-plated brass body
- Heavy-duty suspension mount, windscreen and aluminum transport case included
- High-quality components and exceptionally rugged construction ensure long life
- Conceived and designed by BEHRINGER Germany

## Specifications

Transducer type	condenser, 1" dual-diaphragm
Operating principle	pressure gradient
Polar pattern	cardioid, omnidirectional or figure eight
Connection	gold-plated balanced XLR connector

### Open Circuit Sensitivity (at 1 kHz)

cardioid	-36 dBV (0 dBV = 1 V/Pa), 16 mV/Pa
omnidirectional	-37 dBV (0 dBV = 1 V/Pa), 14 mV/Pa
figure eight	-35 dBV (0 dBV = 1 V/Pa), 18 mV/Pa
Frequency response	20 Hz - 20 kHz
Level attenuation	-10 dB (switchable)
Low-Cut filter	6 dB/oct. at 150 Hz (switchable)

### Max. SPL (1% THD @ 1 kHz)

cardioid	138 dB (0 dB), 148 dB (-10 dB)
omnidirectional	139 dB (0 dB), 149 dB (-10 dB)
figure eight	137 dB (0 dB), 147 dB (-10 dB)

### Equivalent SPL (IEC 651)

cardioid	17 dB-A
omnidirectional	18 dB-A
figure eight	16 dB-A

### Signal-to-Noise Ratio

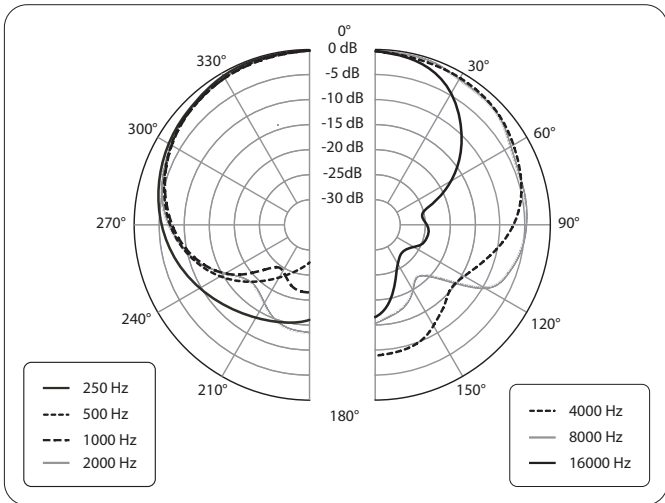
cardioid	77 dB, A-weighted
omnidirectional	76 dB, A-weighted
figure eight	78 dB, A-weighted
Nominal impedance	<100 Ω
Load impedance	>1 kΩ

### Mains Voltage/Fuse

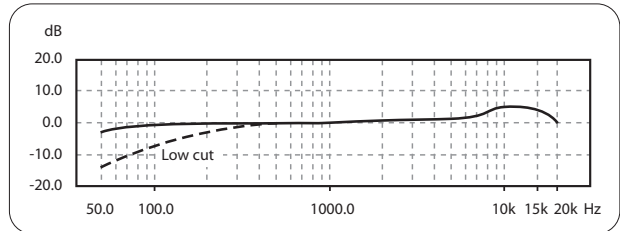
Supply voltage	+48 V
Supply current	3 mA

### Physical/Weight

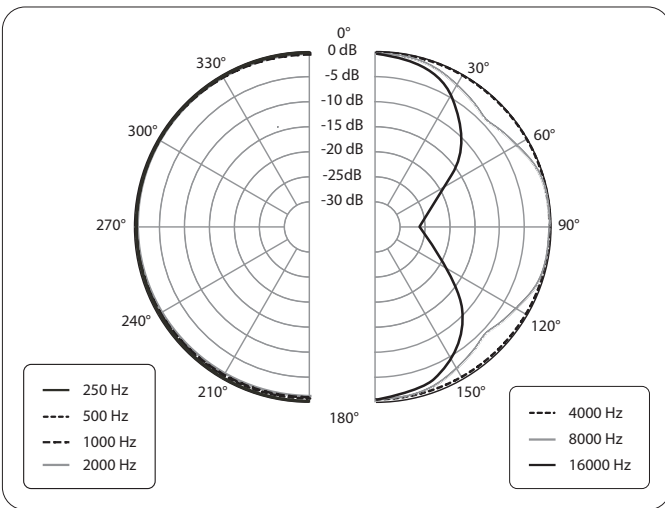
Dimensions	Ø head: 56 mm, Ø shaft: 50 mm, length: 210 mm
Weight	approx. 0.55 kg



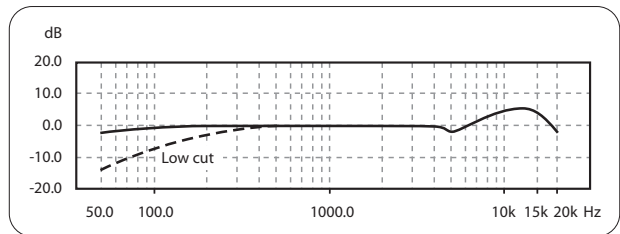
Polar pattern (cardioid)



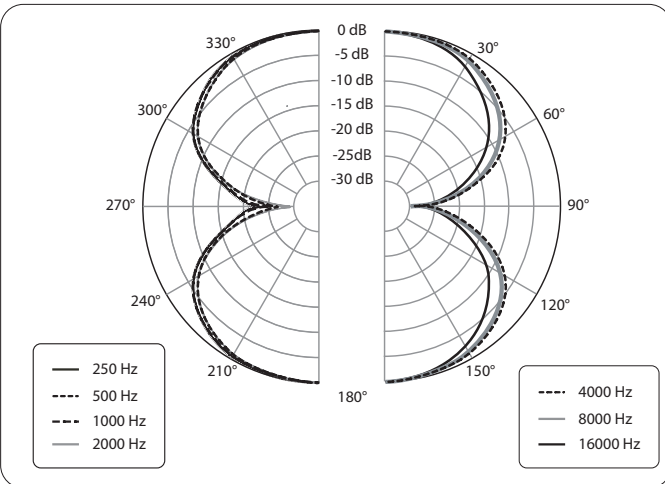
Frequency response (cardioid)



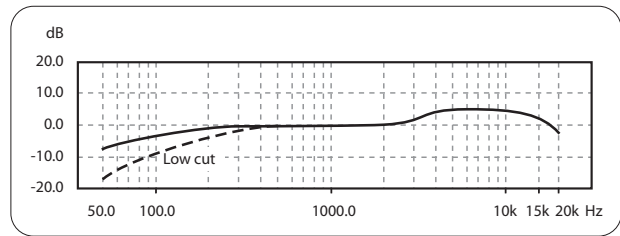
Polar pattern (omnidirectional)



Frequency response (omnidirectional)



Polar pattern (figure eight)



Frequency response (figure eight)

BEHRINGER is constantly striving to maintain the highest professional standards. As a result of these efforts, modifications may be made from time to time to existing products without prior notice. Specifications and appearance may differ from those listed or illustrated.

TECHNICAL SPECIFICATIONS AND APPEARANCE ARE SUBJECT TO CHANGE WITHOUT NOTICE. THE INFORMATION CONTAINED HEREIN IS CORRECT AT THE TIME OF PRINTING. ALL TRADEMARKS ARE THE PROPERTY OF THEIR RESPECTIVE OWNERS. MUSIC GROUP ACCEPTS NO LIABILITY FOR ANY LOSS WHICH MAY BE SUFFERED BY ANY PERSON WHO RELIES EITHER WHOLLY OR IN PART UPON ANY DESCRIPTION, PHOTOGRAPH OR STATEMENT CONTAINED HEREIN. COLORS AND SPECIFICATIONS MAY VARY FROM ACTUAL PRODUCT. MUSIC GROUP PRODUCTS ARE SOLD THROUGH AUTHORIZED FULLFILLERS AND RESELLERS ONLY. FULLFILLERS AND RESELLERS ARE NOT AGENTS OF MUSIC GROUP AND HAVE ABSOLUTELY NO AUTHORITY TO BIND MUSIC GROUP BY ANY EXPRESS OR IMPLIED UNDERTAKING OR REPRESENTATION. THIS MANUAL IS COPYRIGHTED. NO PART OF THIS MANUAL MAY BE REPRODUCED OR TRANSMITTED IN ANY FORM OR BY ANY MEANS, ELECTRONIC OR MECHANICAL, INCLUDING PHOTOCOPIING AND RECORDING OF ANY KIND, FOR ANY PURPOSE, WITHOUT THE EXPRESS WRITTEN PERMISSION OF MUSIC GROUP IP LTD. ALL RIGHTS RESERVED. © 2011 MUSIC GROUP IP LTD. TRIDENT CHAMBERS, WICKHAMS CAY, P.O. BOX 146, ROAD TOWN, TORTOLA, BRITISH VIRGIN ISLANDS